

alpha Premium Line
RP⁺ / RPK⁺ / RPC⁺



WITTENSTEIN alpha GmbH

Walter-Wittenstein-Straße 1

D-97999 Igersheim

Germany

		✉)
Deutschland	WITTENSTEIN alpha GmbH	service@wittenstein.de	+49 7931 493-12900
Benelux	WITTENSTEIN BVBA	service@wittenstein.biz	+32 9 326 73 80
Brasil	WITTENSTEIN do Brasil	vendas@wittenstein.com.br	+55 15 3411 6454
中国	威騰斯坦（杭州）实业有限公司	service@wittenstein.cn	+86 571 8869 5856
Österreich	WITTENSTEIN GmbH	office@wittenstein.at	+43 2256 65632-0
Danmark	WITTENSTEIN AB	info@wittenstein.dk	+45 4027 4151
France	WITTENSTEIN sarl	info@wittenstein.fr	+33 134 17 90 95
Great Britain	WITTENSTEIN Ltd.	sales.uk@wittenstein.co.uk	+44 1782 286 427
Italia	WITTENSTEIN S.P.A.	info@wittenstein.it	+39 02 241357-1
日本	ヴィッテンシュタイン株式会社	sales@wittenstein.jp	+81-3-6680-2835
North America	WITTENSTEIN holding Corp.	technicalsupport@wittenstein-us.com	+1 630-540-5300
España	WITTENSTEIN S.L.U.	info@wittenstein.es	+34 93 479 1305
Sverige	WITTENSTEIN AB	info@wittenstein.se	+46 40-26 50 10
Schweiz	WITTENSTEIN AG Schweiz	sales@wittenstein.ch	+41 81 300 10 30
台湾	威騰斯坦有限公司	info@wittenstein.tw	+886 3 287 0191
Türkiye	WITTENSTEIN Güç Aktarma Sistemleri Tic. Ltd. Şti.	info@wittenstein.com.tr	+90 216 709 21 23

1	2
1.1	2
1.2	2
2	3
2.1	3
2.1.1	(EU)	3
2.1.2	(GB)	3
2.2	4
2.3	4
2.4	가	4
2.5	5
2.6	5
2.6.1	6
2.6.2	6
3	7
3.1	7
3.2	7
3.3	8
3.4	8
3.5	8
3.6 IP	8
4	9
4.1	9
4.2	9
4.3	9
5	10
5.1	10
5.2	11
5.3	14
5.3.1	14
5.3.2	15
5.3.3	16
5.4	16
5.4.1	17
6	18
7	19
7.1	19
7.2	19
7.2.1	19
7.2.2	19
7.3	20
7.4	20
8	21
9	22
9.1	22
9.2	23
9.2.1	23
9.3	24
9.4	24
9.5	25

1

(:)가

WITTENSTEIN alpha GmbH ()

(3.2 " ").

가

1.1

가



가

(, 2.3 " ").

(, "TbI-15").

1.2



GmbH

WITTENSTEIN alpha

2

-
-
-
-
-) 가 , (,
- 가 , 가
- ()
-
- **WITTENSTEIN alpha GmbH** 가가

가 , (,)

2.1

2.1.1 (EU)

2006/42/EC
CE 가
가 가
9 " "

2.1.2 (GB)

S.I. 2008 No. 1597, Supply of Machinery (Safety) Regulations 2008
UKCA 가
가 가
9 " "

2.2

가

2.3

가 / /

-) 가(DIN EN 1672-2
3 " "
- 가
- 8 " "
- (2.5 " ").
- B5 ([])
- DIN EN 50347
- h6 k6
- ① 55 mm m6
- ① , VDI VDI 2862 2 VDI 2230
- ① 9 " "
- 5 " "
- ① (, 가 ,)

2.4

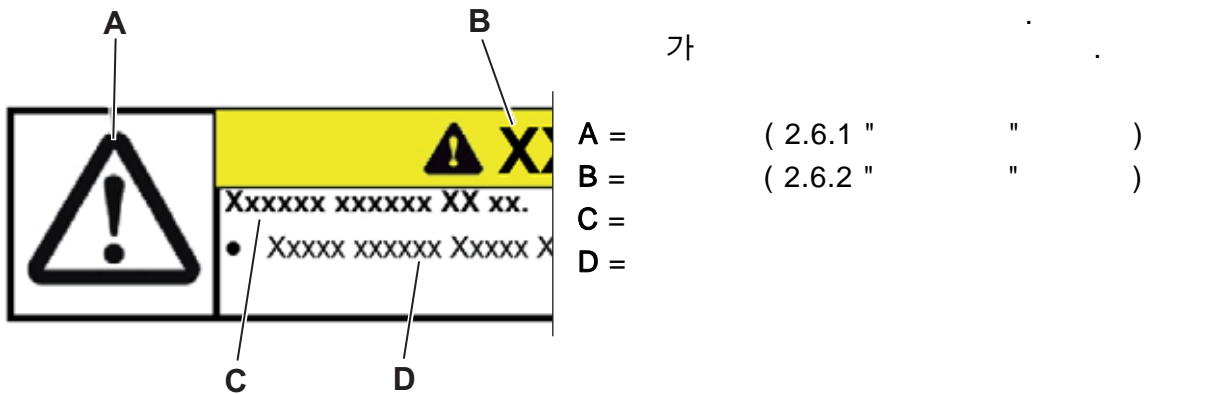
가

- 2.3 " "
- 3.4 " " (, , ,) ()

2.5

- 가
- :
-
- (:)
- 가
- 가 가
- (,)
- :
-
- :
- ① www.wittenstein-alpha.de / (X093-D...),
- 가
- 가
- 가 :
- :
- ① , 가
- (3.5 ")
- 가
-
- (2.4 "
- 가 ")
-

2.6



2.6.1



2.6.2

	⚠ 위 험
	⚠ 경 고
	가
	⚠ 주 의
	가
	참 고
	가 가

3

1

가

3.1

	E	
	Q	/
	B	

Tbl-1: RP...RPK

	M	(5.3.2 " ")
	N	()

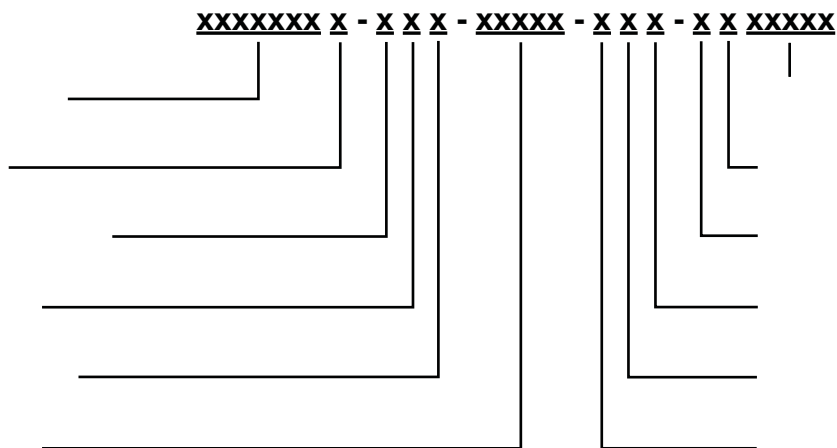
Tbl-2:

3.2

	A	(3.3 " ")
	B	i
	C	()
	D	
	E	
	F	
	G	DataMatrix (WITTENSTEIN Service Portal)
	H	(WITTENSTEIN Service Portal)

Tbl-3: ()

3.3



www.wittenstein-alpha.de

3.4

-
- www.wittenstein-alpha.de,
- **cymex**[®],
- (X093-D...).

① 가 1

3.5

i) 가 () (
----------	-----------

3.6 IP

i	EN 60529 가
----------	------------

4

4.1

가

4.2

	⚠ 경고
	. . . (,).
	참고
	, , 가 . . .

"Tbl-4"

RP..	030	040	050	060	080
[kg]	16	27	72	127	177

Tbl-4: [kg]

(: DIN 580) [R]

	RP..	[R]:	[Ø]
	030		M6
	040		M8
	050		M10
	060		M12
	080		M16

Tbl-5:

4.3

가 0°C ~ +40°C

2

5

- (2.5 ")
-)

5.1

	참 고
	가
	WITTENSTEIN alpha GmbH

). Hygienic Design (,
 - ()
 - (: Loctite® 573 574)
 ① " "(
 2022-D063062) "
 2098-D021746) /

- 가 2.3 " "
- ("Tbl-6")

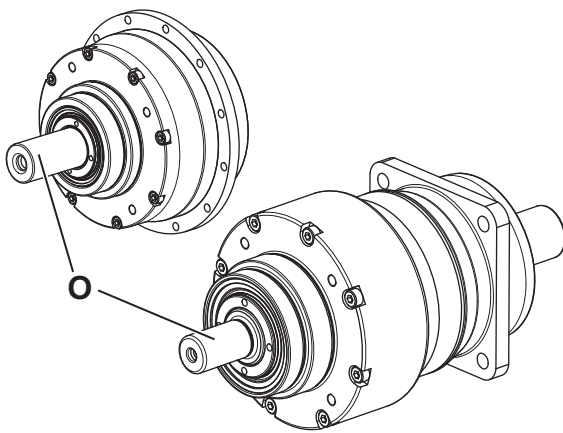
	8.8	10.9	Ax-70	Ax-80
	1.5 x d	1.8 x d	1.5 x d(*)	
d =				
(*) Hygienic Design : 가				

Tbl-6:

-
-
-
-
-
-
-
-

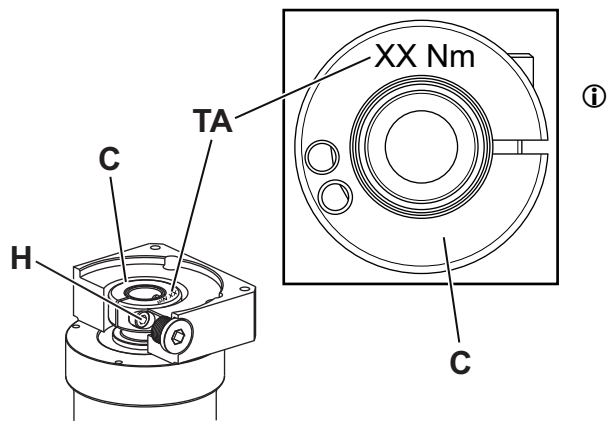
가

5.2



① " [O] "

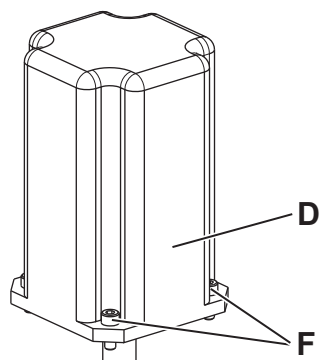
	<ul style="list-style-type: none"> ● ● 가 <p style="text-align: center;">Hygienic Design :</p> <ul style="list-style-type: none"> ● ● (: Loctite® 573) ● Hygienic Design <p>① 가 WITTENSTEIN alpha GmbH "</p> <p>(2098-D038000) "</p> <p style="text-align: center;">www.wittenstein-alpha.de</p>
--	---



[H]
[C]

[TA]

9.1 "



-
-
-
-
-
-

가

[B]

[A]

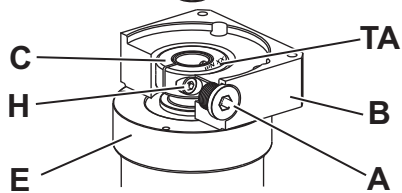
[C]

[H] 가

[C]

[H]

[E]



①

[H₁] 가

[I]

("Tb1-7").

[H₁] 가

①

가

①

가

[H₁]

:

()

()

"Tb1-7"

가

[H₂]

:

()

("Tb1-7")

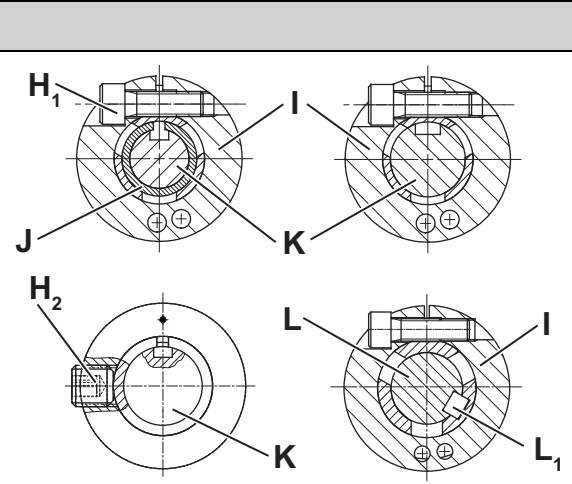
90

①

[D]

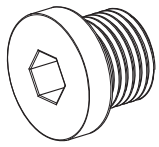
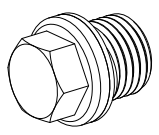
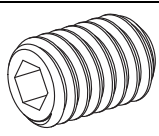
[B]

가

	H ₁	,
	H ₂	,
	I	
	J	
	K	
	L	
	L ₁	

Tbl-7: ,

- [F] (: Loctite® 243) .
- [D] [B] .
- [C] [H] .
 - ① 9.1 " "
 - 가 , [B]
 - [A₁] 가 , [B]
 - 가 [A₂] 가 (Hygienic Design)
 -), [B]
 - [A₃] , [B]
- ① "Tbl-8"

[A]		[mm]	[Nm]							
			3	5	6	8	10	12	13	17
A ₁			-	10	-	35	50	70	-	-
A ₂		가 (Hygienic Design)	-	-	-	-	3	-	5	5.5
A ₃			1.5	3	3	6	-	-	-	-

Tbl-8: /

5.3

	가
--	---

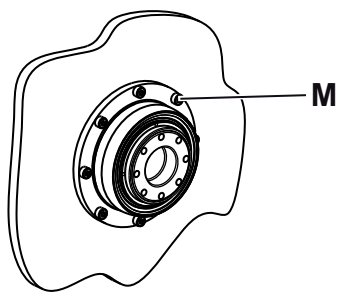
-
- (: Loctite® 243)
- ①
- ① 9.2 " "
- ① 가 "(2022-D063351) 가 /

① H7

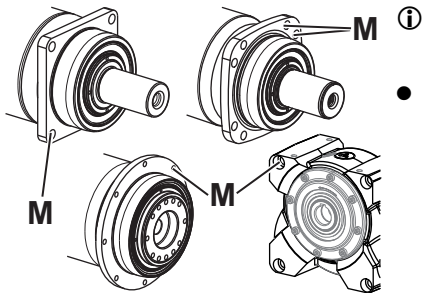
Hygienic Design :

- ① 가
- ① WITTENSTEIN alpha GmbH Mounting Kit
"Hygienic Design", Mounting Kit"(2022-D062618) 가 /

5.3.1

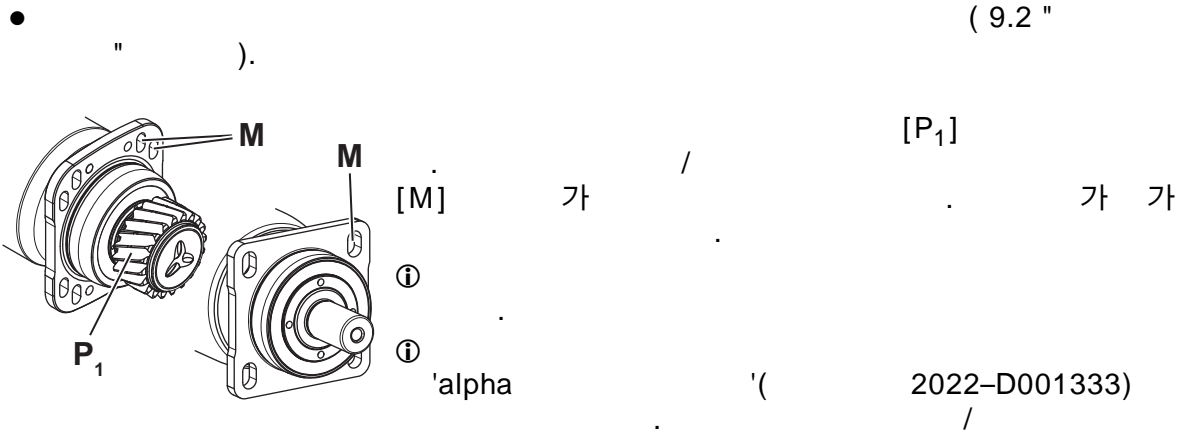


① 가 [M]
"
(Dok. -Nr. 2022-D063062)
/

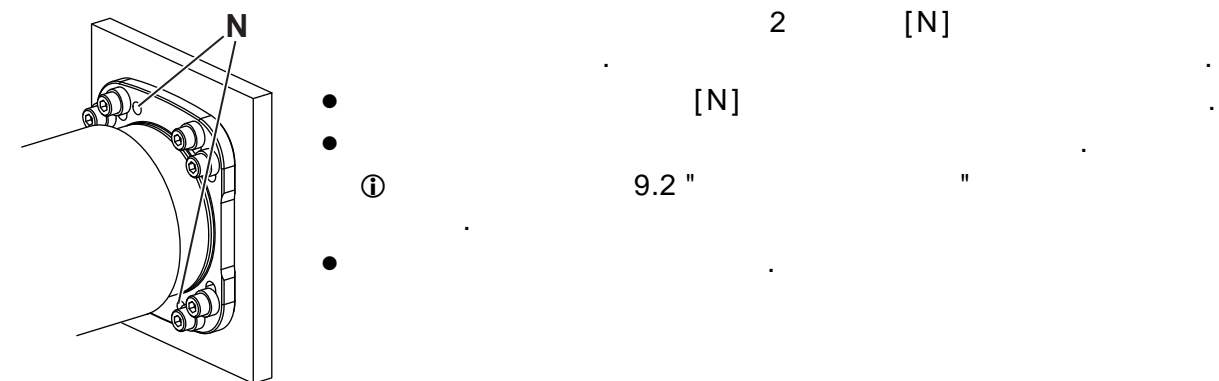
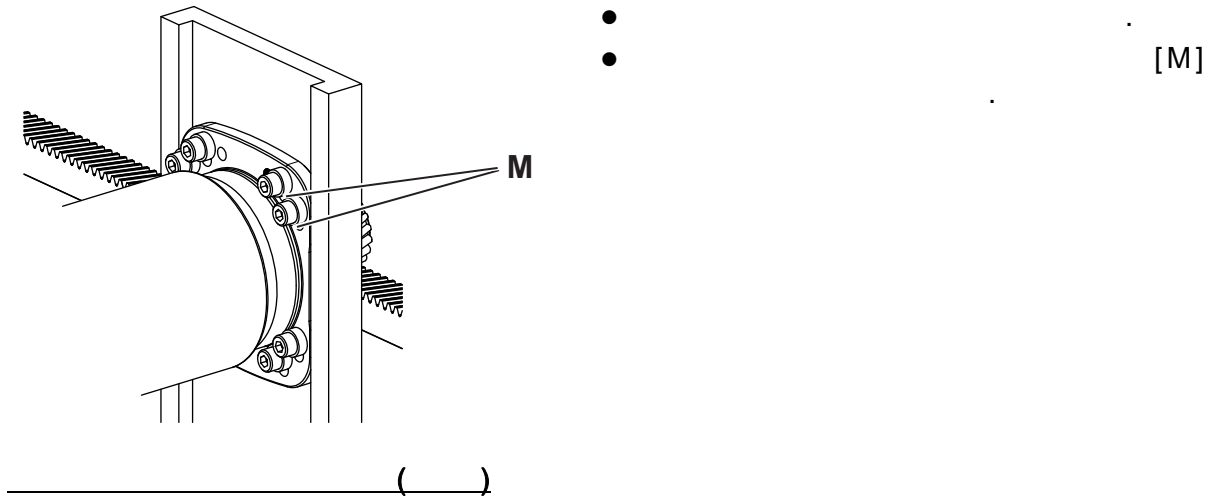


[M]

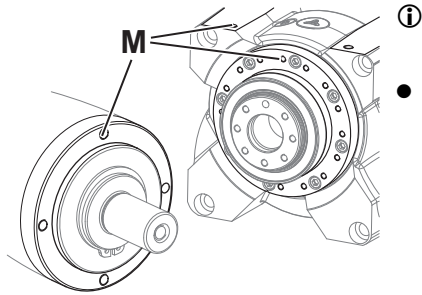
5.3.2



	가
•	가



5.3.3



[M]

5.4

가 :

-
-
-
-
-
-
-
-
-

(DIN 5480)

/ / /

5.4.1 "

9.3 "

: 9.3 "

가

참 고	
	<ul style="list-style-type: none"> • 가 / • ! • • <p>(9.3 " ").</p>

Hygienic Design

WITTENSTEIN alpha GmbH

Mounting Kit

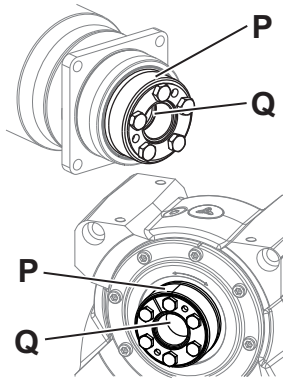
"Hygienic Design

, Mounting Kit"

(: 2022-D062618) 가

/

5.4.1



[P] 가



/ /

[Q]

h6

3.4 "

".

' (Dok. -Nr. 2022-D063039)

/

6

• (2.5 ")

• 가 (9.4 ")
- 가 +90°C

• 가

• 3.4 " "

• ()

-

-

- 가

Hygienic Design

-

- 가 28bar

• 가

• 30

• 80°C

• 9.4 " " : , 9.4 " " 가

7

- (2.5 ")

7.1

		500 가	3	3
	X	X		X
	X			

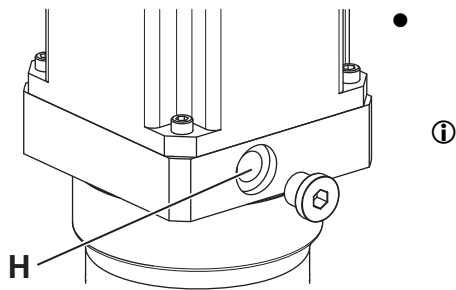
Tbl-9:

7.2

7.2.1

-
-
- ①
- ① / (: ,)
-
- **Hygienic Design** : /

7.2.2



[H] 가 가 ;
9.1 " "

- ① , VDI VDI 2862 2 VDI 2230
- ① 9 " "
- ① 5 " "
- ① (, 가 ,)

7.3

-
-
-

:

()

7.4

-

①

가

가

8

	참 고
	가

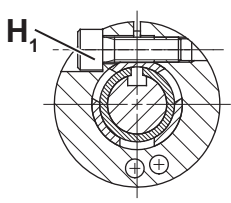
	가
	가

	가	
	가	가
	가	가
	가	가
	가	가
가		가
		가

Tbl-10:

9

9.1

	H ₁	

Tbl-11: ,

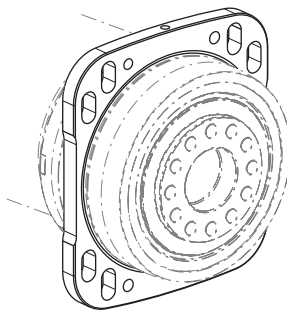
(H ₁)					
: xxxxxxxx - xxx - xxxxx - x(.) * x - xx (3.2 " ")					
[mm]	-Ø ¹⁾	(.) [*]	[mm]	[Nm]	
				"K" ²⁾	"S" ²⁾
8		Z	2.5	2	—
9		A	2.5	2	—
11		B	3	4.1	4.1
14		C	4	9.5	9.5
16		D	5	14	—
19		E	5	14	14
24		G	6	35	35
28 ³⁾		H	5	14	—
28 ⁴⁾		H	6	—	35
32		I	8	79	69
38		K	8	79	69
48		M	10	135	86
55		N	10	135	—
60		O	14	330	—

1) 가
2) :xxxx - xxx - xxxxx - xxx - x(.);
3)
4)

Tbl-12: , [H₁]

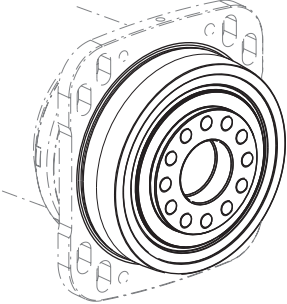
9.2

9.2.1

	RP. .	Ø [mm]	Ø [mm]	/	[Nm]
	030	167	11	M10 / 12.9	73.5
	040	200	13.5	M12 / 12.9	126
	050	276	17.5	M16 / 12.9	310
	060	327	22	M20 / 12.9	605
	080	368	26	M24 / 12.9	1040
		Ø [mm]			[mm]
	030	20			8
	040	24			9.5
	050	30			11
	060	37			13.5
	080	44			16
				x [] x [mm]	
	030	DIN 7979 / DIN EN ISO 8735 Form A		2 x 8m6	
	040			2 x 10m6	
	050			2 x 12m6	
	060			2 x 16m6	
	080			2 x 16m6	

Tbl-13:

9.3

	RP..	∅ [mm]	x x [] x [mm] x [mm]	[Nm] 12.9
	030	66	12 x M10 x 15	73.5
	040	80	12 x M12 x 19	126
	050	125	12 x M16 x 25	310
	060	145	12 x M20 x 31	605
	080	166	12 x M24 x 37	1040

Tbl-14:

 RP⁺ / RPC⁺ / RPK⁺

Tbl-15:

9.4

	[°C]	[°C]
RP ⁺	-15	+40
RPC ⁺ , RPK ⁺	0	+40

Tbl-16:

9.5

- VDI 2230 (2015 11)
- $\mu = 0.10$
- 90%
- ISO 6789 A D II

	[Nm]												
/	M3	M4	M5	M6	M8	M10	M12	M14	M16	M18	M20	M22	M24
8.8 / 8	1.15	2.64	5.2	9.0	21.5	42.5	73.5	118	180	258	362	495	625
10.9 / 10	1.68	3.88	7.6	13.2	32.0	62.5	108	173	264	368	520	700	890
12.9 / 12	1.97	4.55	9.0	15.4	37.5	73.5	126	202	310	430	605	820	1040

Tbl- 17:



Einbauerklärung

(Originaltext)

Wir **WITTENSTEIN alpha GmbH**
Walter-Wittenstein-Straße 1
97999 Igersheim
GERMANY

erklären als Hersteller, dass die unten bezeichnete unvollständige Maschine den nachfolgend aufgeführten Sicherheits- und Gesundheitsschutzanforderungen der Richtlinie 2006/42/EG Anhang I entspricht (siehe „Anhang zur Einbauerklärung“).

Bezeichnung: **Getriebe**


Ausführung: CP, CP Gen 2, CPK, CPS, CPSK, DP+, DPK+, KPG, PKF+, HDP, HDV, HG+, LK+, LPB, LPB+, LPBK+, LPK+, NP, NPK, NPL, NPLK, NPR, NPRK, NPS, NPSK, NPT, NPTK, RP+, RPC+, RPK+, SC+, SK, SK+, SP, SP+, SPC+, SPK, SPK+, TK+, TP, TP+, TPC+, TPK, TPK+, VDH+, VDS+, VDT+, VH+, VS+, VT+, CVH, CVS, NVH, NVS, VDHe, VDSe, XP, XPC+, XPK+

Seriennummer:	SN: 7386950, 7-8stellig fortlaufend
Einschlägige EG-Richtlinie:	2006/42/EG (Maschinen)
Angewandte harmonisierte Normen:	EN 60529:1991 + A1:2000 + A2:2013 EN ISO 12100:2010
Bevollmächtigter für die Zusammenstellung der technischen Unterlagen:	WITTENSTEIN alpha GmbH (Adresse siehe oben)

Die speziellen technischen Unterlagen gemäß Anhang VII Teil B der Maschinenrichtlinie 2006/42/EG wurden erstellt. Wir verpflichten uns, die speziellen technischen Unterlagen den einzelstaatlichen Stellen auf begründetes Verlangen innerhalb einer angemessenen Zeit in elektronischer Form zu übermitteln.

Die unvollständige Maschine darf erst dann in Betrieb genommen werden, wenn gegebenenfalls festgestellt wurde, dass die Maschine, in die die unvollständige Maschine eingebaut werden soll, den Bestimmungen der Maschinenrichtlinie entspricht.

Igersheim, den 06.12.2022
Ort und Datum der Ausstellung


Norbert Pastoors, Geschäftsführer



Anhang zur Einbauerklärung

Liste der für das in der Einbauerklärung angegebene Produkt angewandten und eingehaltenen grundlegenden Sicherheits- und Gesundheitsschutzanforderungen für Konstruktion und Bau von Maschinen.

Kapitel	Bezeichnung	Nicht anwendbar	Eingehalten	Bemerkung
1.1.	Allgemeines			
1.1.1.	Begriffsbestimmungen		x	
1.1.2.	Grundsätze für die Integration der Sicherheit		x	
1.1.3.	Materialien und Produkte		x	
1.1.4.	Beleuchtung	x		
1.1.5.	Konstruktion der Maschine in Hinblick auf die Handhabung		x	
1.1.6.	Ergonomie	x		
1.1.7.	Bedienungsplätze	x		
1.1.8.	Sitze	x		
1.2.	Steuerungen und Befehleinrichtungen			
1.2.1.	Sicherheit und Zuverlässigkeit von Steuerungen	x		
1.2.2.	Stellteile	x		
1.2.3.	Ingangsetzen	x		
1.2.4.	Stillsetzen	x		
1.2.4.1.	Normales Stillsetzen	x		
1.2.4.2.	Betriebsbedingtes Stillsetzen	x		
1.2.4.3.	Stillsetzen im Notfall	x		
1.2.4.4.	Gesamtheit von Maschinen	x		
1.2.5.	Wahl der Steuerungs- oder Betriebsarten	x		
1.2.6.	Störung der Energieversorgung	x		
1.3.	Schutzmassnahmen gegen mechanische Gefährdungen			
1.3.1.	Verlust Standsicherheit		x	
1.3.2.	Bruchrisiko beim Betrieb		x	
1.3.3.	Risiken durch herabfallende oder herausgeschleuderte Gegenstände	x		
1.3.4.	Risiken durch Oberflächen, Ecken, Kanten		x	
1.3.5.	Risiken durch mehrfach kombinierte Maschinen	x		
1.3.6.	Risiken durch Änderung der Verwendungsbedingungen	x		
1.3.7.	Risiken durch bewegliche Teile	x		
1.3.8.	Wahl der Schutzeinrichtungen gegen Risiken durch bewegliche Teile	x		
1.3.8.1.	Bewegliche Teile der Kraftübertragung	x		



Kapitel	Bezeichnung	Nicht anwendbar	Eingehalten	Bemerkung
1.3.8.2.	Bewegliche Teile die am Arbeitsprozess beteiligt sind	x		
1.3.9.	Risiko unkontrollierter Bewegungen	x		
1.4.	Anforderungen an Schutzeinrichtungen			
1.4.1.	Allgemeine Anforderungen an Schutzeinrichtungen	x		
1.4.2.	Besondere Anforderungen an trennende Schutzeinrichtungen	x		
1.4.2.1.	Feststehende trennende Schutzeinrichtungen	x		
1.4.2.2.	Bewegliche trennende Schutzeinrichtungen mit Verriegelung	x		
1.4.2.3.	Zugangsbeschränkte verstellbare Schutzeinrichtungen	x		
1.4.3.	Besondere Anforderungen an nichttrennende Schutzeinrichtungen	x		
1.5.	Risiken durch sonstige Gefährdungen			
1.5.1.	Elektrische Energieversorgung	x		
1.5.2.	Statische Elektrizität		x	
1.5.3.	Nichtelektrische Energieversorgung	x		
1.5.4.	Montagefehler		x	
1.5.5.	Extreme Temperaturen		x	
1.5.6.	Brand	x		
1.5.7.	Explosion	x		
1.5.8.	Lärm		x	
1.5.9.	Vibration		x	
1.5.10.	Strahlung	x		
1.5.11.	Strahlung von außen	x		
1.5.12.	Laserstrahlung	x		
1.5.13.	Emission gefährlicher Werkstoffe und Substanzen		x	
1.5.14.	Risiko, in einer Maschine eingeschlossen zu werden	x		
1.5.15.	Ausrutsch, Stolper, Sturzrisiko	x		
1.5.16.	Blitzschlag	x		
1.6.	Instandhaltung			
1.6.1.	Wartung der Maschine		x	
1.6.2.	Zugang zu Bedienständen und den Eingriffspunkten für die Instandhaltung	x		
1.6.3.	Trennung von Energiequellen	x		
1.6.4.	Eingriffe des Bedienpersonals	x		
1.6.5.	Reinigung innenliegender Maschinenteile	x		
1.7.	Informationen			
1.7.1.	Informationen und Warnhinweise an der Maschine		x	



Kapitel	Bezeichnung	Nicht anwendbar	Eingehalten	Bemerkung
1.7.1.1.	Informationen und Informationseinrichtungen	x		
1.7.1.2.	Warnrichtungen	x		
1.7.2.	Warnung vor Restrisiken		x	
1.7.3.	Kennzeichnung der Maschine		x	
1.7.4.	Betriebsanleitung		x	
1.7.4.1.	Allgemeine Grundsätze für die Abfassung einer Betriebsanleitung		x	
1.7.4.2.	Inhalt der Montageanleitung		x	
1.7.4.3.	Verkaufsprospekte		x	



Declaration of Incorporation

(Translation of original text)

We, **WITTENSTEIN alpha GmbH**
 Walter-Wittenstein-Straße 1
 97999 Igersheim
 GERMANY

hereby declare that the partly completed machinery designated below is in conformity with the safety and health protection requirements of Directive 2006/42/EC, Annex I (refer to "Appendix regarding the Declaration of Incorporation").

Description: **Gearbox**

Model: **CP, CP Gen 2, CPK, CPS, CPSK, DP+, DPK+, KPG, PKF+, HDP, HDV, HG+, LK+, LPB, LPB+, LPBK+, LPK+, NP, NPK, NPL, NPLK, NPR, NPRK, NPS, NPSK, NPT, NPTK, RP+, RPC+, RPK+, SC+, SK, SK+, SP, SP+, SPC+, SPK, SPK+, TK+, TP, TP+, TPC+, TPK, TPK+, VDH+, VDS+, VDT+, VH+, VS+, VT+, CVH, CVS, NVH, NVS, VDHe, VDSe, XP, XPC+, XPK+**

Serial number: SN: 7386950, consecutive number (7-8 digits)

Relevant EC Directive: 2006/42/EC (Machinery)

Applied harmonized standards: EN ISO 12100:2010
 EN 60529:1991 + A1:2000 + A2:2013

The person authorized to compile technical documents: **WITTENSTEIN alpha GmbH**
 (address see above)

The special technical documentation in accordance with appendix VII part B of directive 2006/42/EG have been created. We undertake to forward the special technical documentation to a reasoned request to the national authorities. We shall submit them by means of electronic data carrier.

The designated partly completed machinery must not be put into service until the final machinery into which it is to be incorporated has been declared in conformity with the provisions of this Directive.

Igersheim, 06.12.2022
 City and date


 Norbert Pastoors, Managing Director

Document No.: 1000117477

Rev.: 01



Appendix regarding the Declaration of Incorporation

List of the essential health and safety requirements applied and fulfilled for the product named in the Declaration of Incorporation.

Chapter	Designation	not applicable	fulfilled	remark
1.1.	General Remarks			
1.1.1.	Definitions		x	
1.1.2.	Principles of safety integration		x	
1.1.3.	Materials and products		x	
1.1.4.	Lighting	x		
1.1.5.	Design of machinery to facilitate its handling		x	
1.1.6.	Ergonomics	x		
1.1.7.	Operating positions	x		
1.1.8.	Seating	x		
1.2.	Control systems			
1.2.1.	Safety and reliability of control systems	x		
1.2.2.	Control devices	x		
1.2.3.	Starting	x		
1.2.4.	Stopping	x		
1.2.4.1.	Normal stop	x		
1.2.4.2.	Operational stop	x		
1.2.4.3.	Emergency stop	x		
1.2.4.4.	Assembly of machinery	x		
1.2.5.	Selection of control or operating modes	x		
1.2.6.	Failure of the power supply	x		
1.3.	Protection against mechanical hazards			
1.3.1.	Risk of loss of stability		x	
1.3.2.	Risk of break-up during operation		x	
1.3.3.	Risks due to falling or ejected objects	x		
1.3.4.	Risks due to surfaces, edges or angles		x	
1.3.5.	Risks related to combined machinery	x		
1.3.6.	Risks related to variations in operating conditions	x		
1.3.7.	Risks related to moving parts	x		
1.3.8.	Choice of protection against risks arising from moving parts	x		
1.3.8.1.	Moving transmission parts	x		
1.3.8.2.	Moving parts involved in the process	x		
1.3.9.	Risks of uncontrolled movements	x		



Chapter	Designation	not applicable	fulfilled	remark
1.4.	Required characteristics of guards and protective devices			
1.4.1.	General requirements	x		
1.4.2.	Special requirements for guards	x		
1.4.2.1.	Fixed guards	x		
1.4.2.2.	Interlocking movable guards	x		
1.4.2.3.	Adjustable guards restricting access	x		
1.4.3.	Special requirements for protective devices	x		
1.5.	Risks due to other hazards			
1.5.1.	Electricity supply	x		
1.5.2.	Static electricity		x	
1.5.3.	Energy supply other than electricity	x		
1.5.4.	Errors of fitting		x	
1.5.5.	Extreme temperatures		x	
1.5.6.	Fire	x		
1.5.7.	Explosion	x		
1.5.8.	Noise		x	
1.5.9.	Vibrations		x	
1.5.10.	Radiation	x		
1.5.11.	External radiation	x		
1.5.12.	Laser radiation	x		
1.5.13.	Emissions of hazardous materials and substances		x	
1.5.14.	Risk of being trapped in a machine	x		
1.5.15.	Risk of slipping, tripping or falling	x		
1.5.16.	Lightning	x		
1.6.	Maintenance			
1.6.1.	Machinery maintenance		x	
1.6.2.	Access to operating positions and servicing points	x		
1.6.3.	Isolation of energy sources	x		
1.6.4.	Operator intervention	x		
1.6.5.	Cleaning of internal parts	x		
1.7.	Information			
1.7.1.	Information and warnings on the machinery		x	
1.7.1.1.	Information and information devices	x		
1.7.1.2.	Warning devices	x		
1.7.2.	Warning of residual risks		x	
1.7.3.	Marking of machinery		x	



Chapter	Designation	not applicable	fulfilled	remark
1.7.4.	Instructions		x	
1.7.4.1.	General principles for the drafting of instructions		x	
1.7.4.2.	Contents of the instructions		x	
1.7.4.3.	Sales literature		x	



Declaration of Incorporation

(Translation of original text)

We, **WITTENSTEIN alpha GmbH**
 Walter-Wittenstein-Straße 1
 97999 Igersheim
 GERMANY

with our authorized **WITTENSTEIN Ltd.**
 representative for GB, Unit 3 The Glades, Festival Way
 ST1 5SQ Stoke on Trent, Staffordshire, GB

hereby declare that the partly completed machinery designated below is in conformity with the safety and health protection requirements of S.I. 2008:1597, Annex I (refer to "Appendix regarding the Declaration of Incorporation").

Description: **Gearbox**

Model: CP, CP Gen 2, CPK, CPS, CPSK, DP+, DPK+, KPG, PKF+, HDP, HDV, HG+, LK+, LPB, LPB+, LPBK+, LPK+, NP, NPK, NPL, NPLK, NPR, NPRK, NPS, NPSK, NPT, NPTK, RP+, RPC+, RPK+, SC+, SK, SK+, SP, SP+, SPC+, SPK, SPK+, TK+, TP, TP+, TPC+, TPK, TPK+, VDH+, VDS+, VDT+, VH+, VS+, VT+, CVH, CVS, NVH, NVS, VDHe, VDSe, XP, XPC+, XPK+

Serial number: SN: 7386950, consecutive number (7-8 digits)

Relevant statutory instrument: S.I. 2008:1597 Supply of Machinery (Safety) Regulations

Applied designated standard: EN ISO 12100:2010

Additionally applied standard: EN 60529:1991 + A1:2000 + A2:2013

The person authorized to compile technical documents: **WITTENSTEIN alpha GmbH**
 (address see above)

The relevant technical documentation in accordance with the requirements of Annex VII (Part 7 of Schedule 2), part B have been created. We undertake to forward the special technical documentation to a reasoned request to the national authorities. We shall submit them by means of electronic data carrier.

The designated partly completed machinery must not be put into service until the final machinery into which it is to be incorporated has been declared in conformity with the provisions of this Directive.

Igersheim, 06.12.2022
 City and date



Norbert Pastoors, Managing Director

Document No.: 1000117479

Rev.: 01



Appendix regarding the Declaration of Incorporation

List of the essential health and safety requirements applied and fulfilled for the product named in the Declaration of Incorporation.

Chapter	Designation	not applicable	fulfilled	remark
1.1.	General Remarks			
1.1.1.	Definitions		x	
1.1.2.	Principles of safety integration		x	
1.1.3.	Materials and products		x	
1.1.4.	Lighting	x		
1.1.5.	Design of machinery to facilitate its handling		x	
1.1.6.	Ergonomics	x		
1.1.7.	Operating positions	x		
1.1.8.	Seating	x		
1.2.	Control systems			
1.2.1.	Safety and reliability of control systems	x		
1.2.2.	Control devices	x		
1.2.3.	Starting	x		
1.2.4.	Stopping	x		
1.2.4.1.	Normal stop	x		
1.2.4.2.	Operational stop	x		
1.2.4.3.	Emergency stop	x		
1.2.4.4.	Assembly of machinery	x		
1.2.5.	Selection of control or operating modes	x		
1.2.6.	Failure of the power supply	x		
1.3.	Protection against mechanical hazards			
1.3.1.	Risk of loss of stability		x	
1.3.2.	Risk of break-up during operation		x	
1.3.3.	Risks due to falling or ejected objects	x		
1.3.4.	Risks due to surfaces, edges or angles		x	
1.3.5.	Risks related to combined machinery	x		
1.3.6.	Risks related to variations in operating conditions	x		
1.3.7.	Risks related to moving parts	x		
1.3.8.	Choice of protection against risks arising from moving parts	x		
1.3.8.1.	Moving transmission parts	x		
1.3.8.2.	Moving parts involved in the process	x		
1.3.9.	Risks of uncontrolled movements	x		



Chapter	Designation	not applicable	fulfilled	remark
1.4.	Required characteristics of guards and protective devices			
1.4.1.	General requirements	x		
1.4.2.	Special requirements for guards	x		
1.4.2.1.	Fixed guards	x		
1.4.2.2.	Interlocking movable guards	x		
1.4.2.3.	Adjustable guards restricting access	x		
1.4.3.	Special requirements for protective devices	x		
1.5.	Risks due to other hazards			
1.5.1.	Electricity supply	x		
1.5.2.	Static electricity		x	
1.5.3.	Energy supply other than electricity	x		
1.5.4.	Errors of fitting		x	
1.5.5.	Extreme temperatures		x	
1.5.6.	Fire	x		
1.5.7.	Explosion	x		
1.5.8.	Noise		x	
1.5.9.	Vibrations		x	
1.5.10.	Radiation	x		
1.5.11.	External radiation	x		
1.5.12.	Laser radiation	x		
1.5.13.	Emissions of hazardous materials and substances		x	
1.5.14.	Risk of being trapped in a machine	x		
1.5.15.	Risk of slipping, tripping or falling	x		
1.5.16.	Lightning	x		
1.6.	Maintenance			
1.6.1.	Machinery maintenance		x	
1.6.2.	Access to operating positions and servicing points	x		
1.6.3.	Isolation of energy sources	x		
1.6.4.	Operator intervention	x		
1.6.5.	Cleaning of internal parts	x		
1.7.	Information			
1.7.1.	Information and warnings on the machinery		x	
1.7.1.1.	Information and information devices	x		
1.7.1.2.	Warning devices	x		
1.7.2.	Warning of residual risks		x	
1.7.3.	Marking of machinery		x	



Chapter	Designation	not applicable	fulfilled	remark
1.7.4.	Instructions		x	
1.7.4.1.	General principles for the drafting of instructions		x	
1.7.4.2.	Contents of the instructions		x	
1.7.4.3.	Sales literature		x	

01	09.11.2017		
02	10.04.2018	RP ⁺ 030	4.2, 9.2, 9.3
03	07.12.2020		
04	26.09.2022		2



WITTENSTEIN alpha GmbH · Walter-Wittenstein-Straße 1 · 97999 Igersheim · Germany
Tel. +49 7931 493-0 · info@wittenstein.de

WITTENSTEIN – one with the future

www.wittenstein-alpha.de